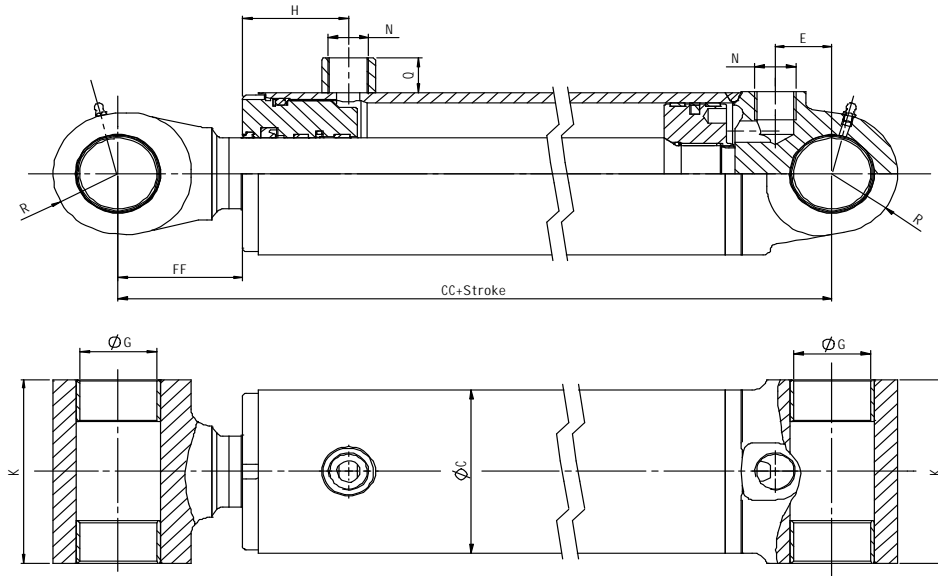


## HYDRAULIC CYLINDER WITH WIDE BUSHING, DA 250

### Performance DA0808



All measures in mm, if nothing else is stated.  
 Maximum working pressure 25.0 MPa (250 bar).  
 The cylinder is painted subdued black.

Cylinder Ø A	Piston rod Ø B	Ø C	CC	E	FF	G	H	K	N	Q	R	Pressure area cm <sup>2</sup>	Pull area cm <sup>2</sup>
25	12	35	125	20	25	12	36	40	G1/4	14	12,5	4,91	3,78
	16											4,91	2,90
32	16	42	130	20	28	12	36	45	G1/4	14	12,5	8,04	6,03
	20											8,04	4,90
40	20	50	170	25	39	20	50	55	G3/8	15	20	12,57	9,42
	25											12,57	7,66
50	25	60	175	25	44	25	50	65	G3/8	15	22,5	19,63	14,73
	32											19,63	11,59
63	32	73	200	30	53	30	49	85	G1/2	16	27,5	31,17	23,13
	40											31,17	18,61
80	40	95	225	30	66	40	58	110	G1/2	16	35	50,27	37,70
	50											50,27	30,63
100	50	115	265	37	81	50	69	130	G3/4	24	42,5	78,54	58,90
	63											78,54	47,37
125	63	145	290	40	90	60	69	160	G3/4	24	52,5	122,72	91,55
	80											122,72	72,45
140	70	160	335	45	111	70	75	180	G3/4	24	60	153,94	115,45
	90											153,94	90,32
160	80	185	385	50	132	80	82	200	G1	30	67,5	201,06	150,80
	100											201,06	122,52
180	90	205	415	55	142	90	95	230	G1	30	75	254,47	190,85
	125											254,47	131,75
200	100	230	475	55	160	100	118	250	G1 1/4	30	82,5	314,16	235,67
	140											314,16	160,27
250	125	298	590	75	195	120	137	320	G1 1/4	30	100	490,87	368,16
	160											490,87	289,81

Example of article number: DA08080700-0600  
 Wide Bushing in both ends, cylinder Ø: 50 mm,  
 piston rod Ø: 25 mm, and a 600 mm stroke.